

---

## **Wireless Charging Station for sharing Ebikes**

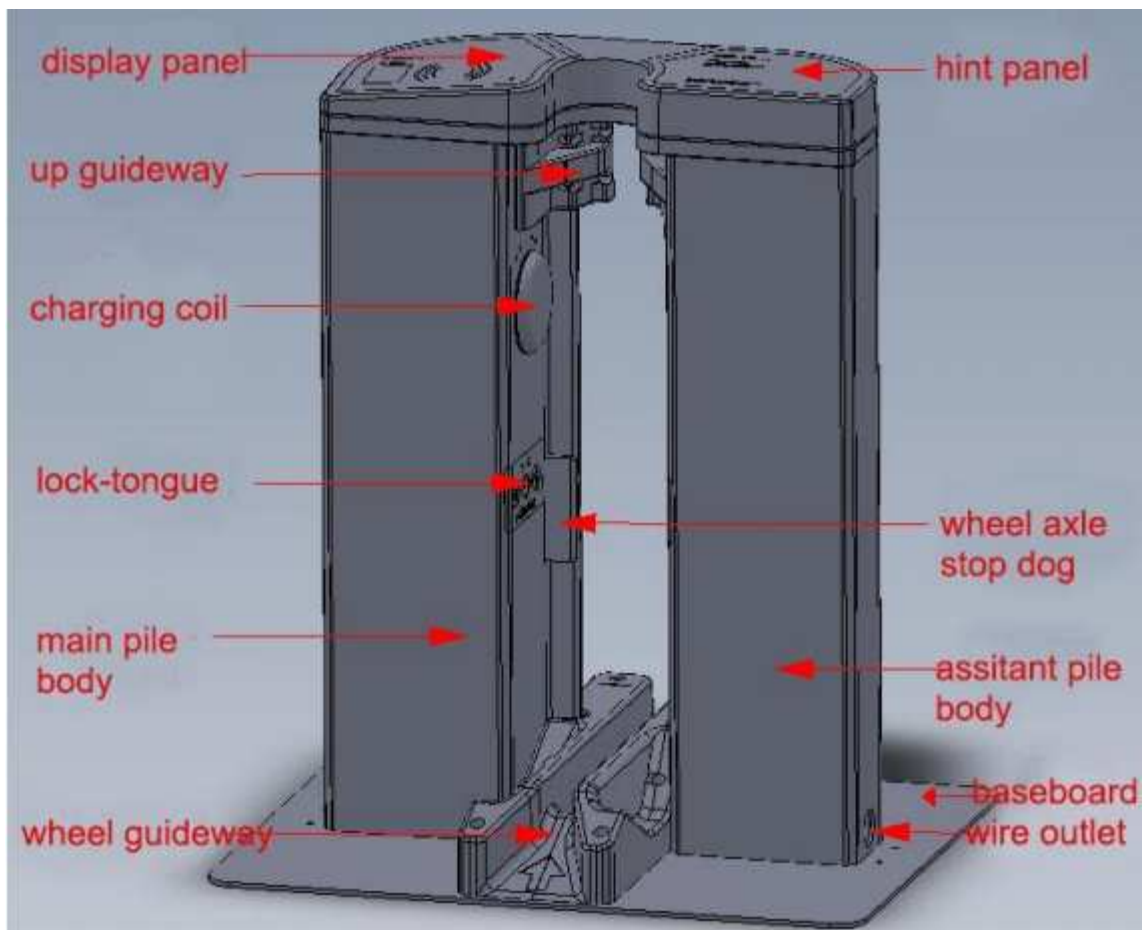
### **Product Description**



**KING-METER TECHNOLOGY CO., LTD**  
**ISO 9001 ISO 14001**

## The Pile Body Part :

- Integral delivery, without any ground infrastructure construction, waterproof connector quick installation;
- Through wireless inductive charging between pile and electric vehicles , 36V/2.5A ;
- Pile adopt 48V safety voltage power supply ;
- Support CAN, LIN, 485 bus communication between the pile;
- The V-shaped guide groove at the bottom of pile ensure the front wheel into place;
- User rental interface on top of the pile, support M1 card and two-dimensional code rental operation;
- Stainless steel locking mechanism  $-45^{\circ}$   $-85^{\circ}$  C working properly, electronically controlled lock life> 100,000 times;
- Vehicle automatically charging after into the place,without additional action.

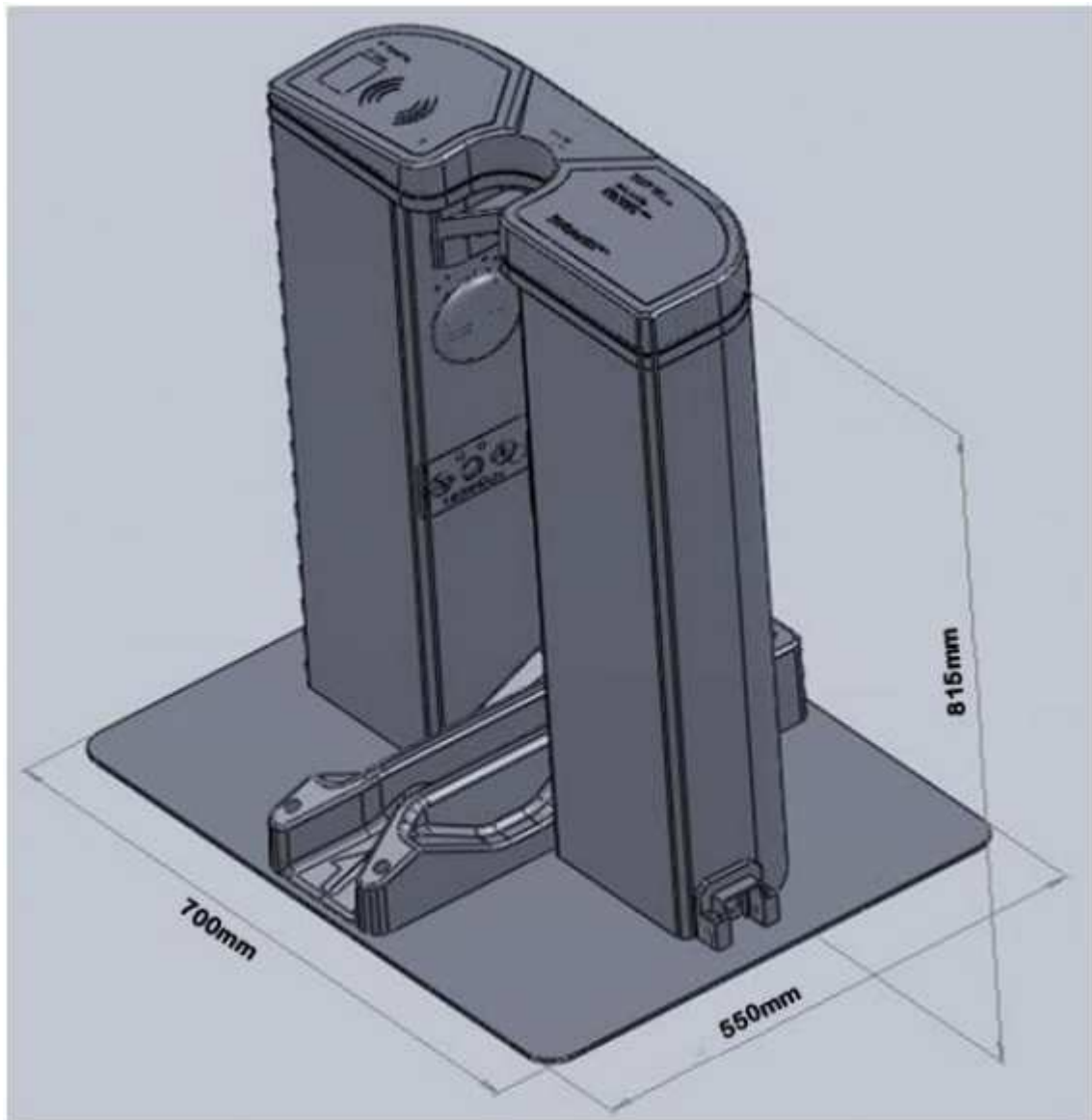


## Ebike coordination with pile

- Require dedicated front fork, and install the charging induction coil and the locking piece on the fork;
- Tire width less than 38mm (1-3 / 4, 1-3 / 8, 1-1 / 2-inch size available);
- Adaptation model: 24, 26, 27, 28 inches.
- The motor can be put in front, mid or back of the vehicle.



**Pile Basic Dimensions:**

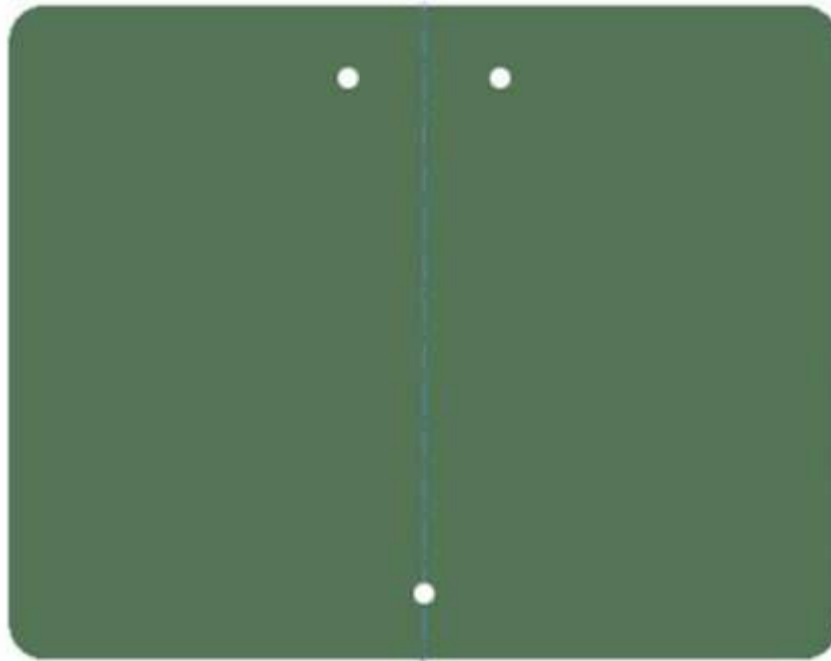


Length : 700mm ( 27.5in )

Width : 550mm ( 22in )

Height : 815mm ( 32in )

The installation of stainless steel plate on the ground :



Only need install three screws to a stainless steel plate fixed on the ground, then complete the installation of the piles.

When temporary installation, simply place the pile on the ground without screws.

The connection between the two piles and waterproof line fixation:



Aluminum alloy guard groove can be easily installed to protect the waterproof connector. No need underground construction.

User interface:



The image shows a digital display with the following text and annotations:

- Welcome**: A green logo with a red arrow pointing to a box labeled "Logo company".
- CHG Cur: 2.2A**: Charging current, with a red arrow pointing to a box labeled "Charging current".
- Battery: 91%**: Remaining battery percentage, with a red arrow pointing to a box labeled "Remaining battery %".
- Range : 66 Km**: Remaining range, with a red arrow pointing to a box labeled "Remaining range".
- UID:**: A label above the bike number, with a red arrow pointing to a box labeled "Pile number".
- 1**: A large number inside a circle, representing the bike number, with a red arrow pointing to a box labeled "Ebike number".
- 1608190001**: The bike's unique identifier, with a red arrow pointing to a box labeled "Ebike number".

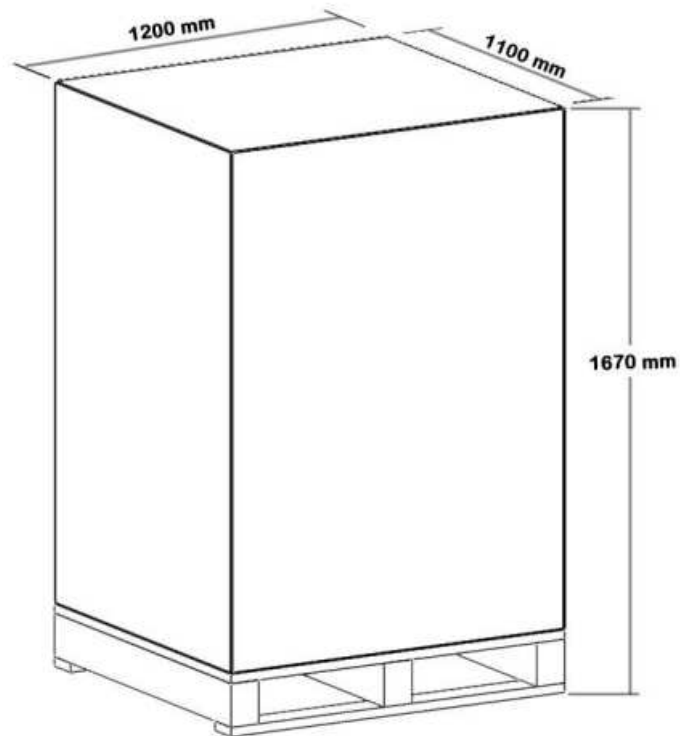


## Induction converter :

Overall dimensions ( mm ): Length 95×width 53×thickness28 ( do not include the wire )



Lock pile charging coil by electromagnetic induction to transfer power to the front fork charging induction coil, 36V power through the induction converter to charge the battery.



Pallet size : 1200\*1100\*1670 ( High ) mm

Quantity of each carton : 6 pcs

Weight: 247 kilo

N.B : specifications may changed according to technical improvement / logistic issue , please consult us when placing orders , thanks in advance.